



**Installation Instructions For
GL1800 LED Driving Lights Rev 7-16
Part 45-1860 (2001-2010)
45-1860AB (Air Bag Model)**

NOTE: Read instructions thoroughly before installing. Additional drawing and parts break down on last page.

1. Place bike on center stand.
2. Disconnect the negative battery cable.
3. Remove lower front cowl per repair manual instructions.
4. Using cutters or knife, remove knock outs from lower front cowl and smooth edges with file.
5. Locate right and left mounting brackets. Markings can be found on the back of bracket, "L" left and "R" right. Figure 1.



Figure 1



Figure 2

6. Install three large grommets in mounting bracket, Figure 2. Insert the long flange inserts into grommet from the rear.
7. Insert square black plastic nut into square opening in mounting bracket. Place spring over M5 x 40mm screw and screw into square black plastic nut, Figure 3.



Figure 3



Figure 4

8. Install two small grommets into light bracket, Figure 4. Insert the short flange inserts into grommet from the front.

Installation Instructions for GL1800 LED Driving Lights Rev 7-16
Part 45-1860 (2001-2010) and Part 45-1860AB (Air Bag Model)

Continued



Figure 5



Figure 6

9. Mount light bracket to mounting bracket using two M5 x 18mm screws. Figure 5

10. Using 8mm wrench, remove right side plastic trim piece, Figure 6. Install right fog lamp using three M6 x 35mm flange bolts, flat washers, 4mm spacers (for 2001 – 2005 models), and plastic trim piece, Figure 7. Plug the 2-pin gray connector into the motorcycle 2-pin gray connector. Located near horn. (The motorcycle 2-pin connector will be plugged and taped. Remove plug and tape.)

11. Install left light using three M6 x 50mm flange bolts, flat washers, two 20mm spacers top and side bolts, one 16mm spacers on bottom bolt.

NOTE: In this kit you will find 2mm spacers. These spacers can be used for fine adjustments of lights as needed.

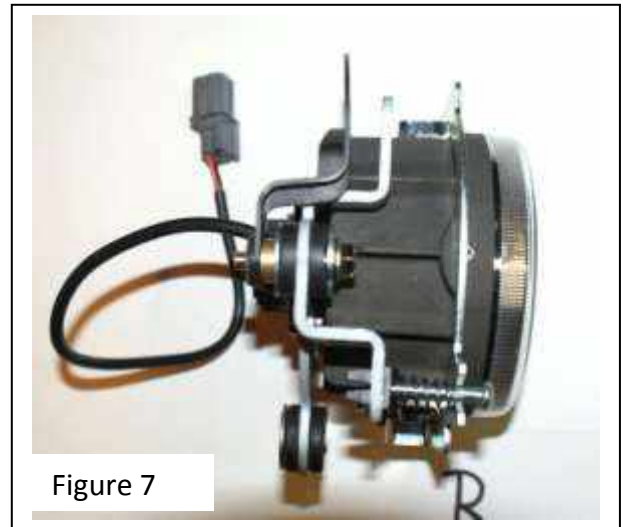


Figure 7

12. Remove left side fairing trim molding, Figure 8.

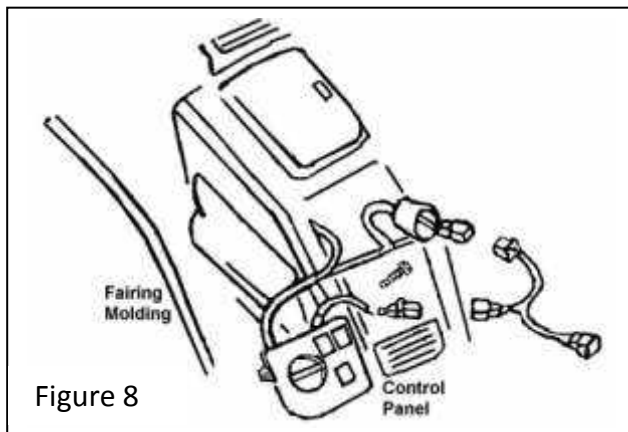


Figure 8

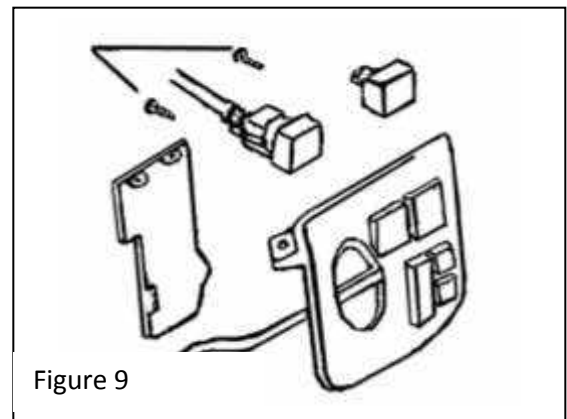


Figure 9

13. Remove Allen screw and remove left control panel, Figure 9.

14. Remove switch cover on back of control panel, Figure 9.

**Installation instructions for GL1800 Led Driving Lights Rev 7-16
Part 45-1860 (2001-2010) and Part 45-1860AB (Air Bag Model)
Continued**

15. Remove two screws holding switch cover to control panel.
16. Install the switch using the screws removed in the previous step.
17. Plug the 4-pin switch connector into the relay harness. Plug the relay harness into the motorcycles accessory black 4-pin connector.

NOTE: This kit comes with relay and jumper plug. If the relay is used, the kit will function as OEM and the fog lights will turn off with the high beams. If the jumper plug is used, the fog lights will only turn off with the switch. Check with local laws for light operation.

18. The white and yellow wires power the daytime running lights and turn signals. Route these wires from the light assemblies to the right and left mirror assemblies. (**Note: Ensure the wires are clear of the cooling fans and front fork assembly.**) Turn back the mirror rubber boot to access the front turn signal and running light wire harness. Connect the wires with the "T" taps as follows:

LEFT SIDE

Yellow – Blue
White – Orange/White

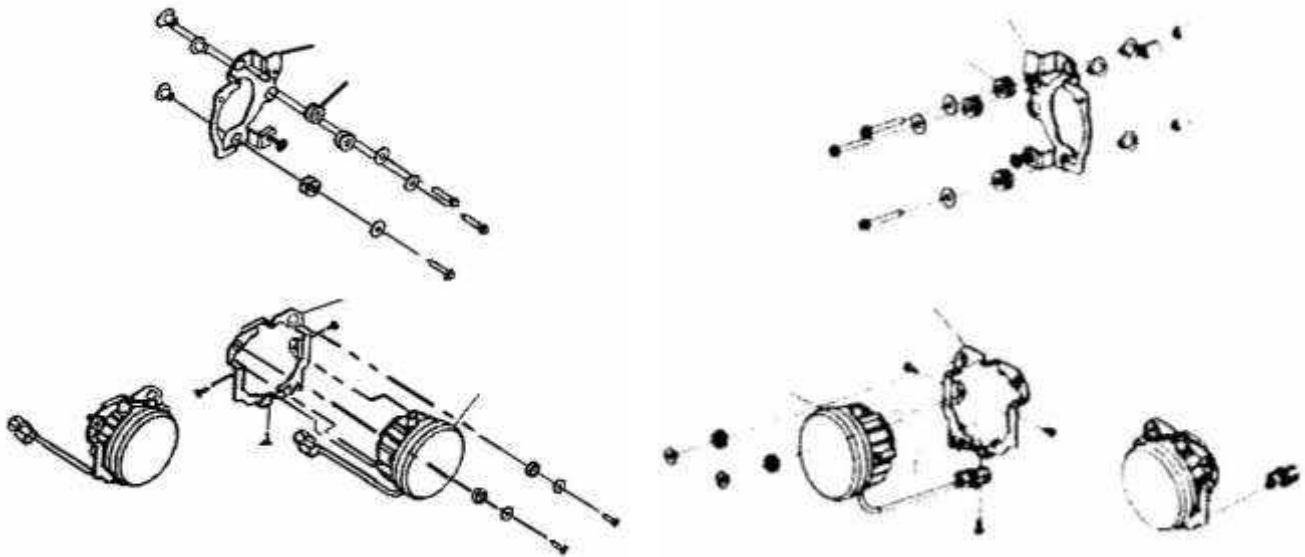
RIGHT SIDE

Yellow - Blue
White – Blue/White

Note: For proper operation start motorcycle for testing lights.

19. Before installing all components check to make sure the lights work and that they are aimed correctly. To check that they are aimed correctly, make sure the bike is level and about 16 feet from a wall. Then measure from the ground to the center of fog lamp, and make a mark on the wall to that measurement. If the lights need adjustment you can screw in or out the adjustment screw on each mounting bracket.

20. Reinstall the control panel and fairing trim molding in the reverse of the removal.



**Installation Instructions for GL1800 LED Driving Lights Rev 7-16
Part 45-1860 (2001-2010) and Part 45-1860AB (Air Bag Model)
Continued**

List of Hardware

Qty Hardware

2	LED Light
1	On/Off Switch
3	Wire Ties
1	Jumper Wire
2	Light Brackets
4	Small Rubber Grommets
2	Mounting Brackets
6	Large Rubber Grommets
2	Square Black Plastic Nuts
2	Springs
2	M5 x 40MM Screws
6	Large Flange Inserts

4	Small Flange Inserts
4	M5 x 18MM Screws
6	Flat Washers
3	M6 x 50MM Screws
3	M6 x 35MM Screws
1	16MM Spacer
2	20MM Spacer
3	4MM Spacer
	2MM Spacer
1	Relay Switch
1	Wire Harness