

Copyright © 2019 by Big Bike Parts, Inc. No part of this instruction sheet may be reproduced without the written permission of Big Bike Parts, Inc.

PART NO. 52-924

LED FOG LIGHT SET

FITMENT: HONDA GOLDWING/GOLDWING TOUR 2018-NEWER

01/15/2019

TOOLS NEEDED:	5MM ALLEN WRENCH	6MM ALLEN WRENCH	PHILLIPS SCREWDRIVER	8MM SOCKET WRENCH	10MM WRENCH
MASKING TAPE	HACK SAW BLADE	FLAT BLADE SCREWDRIVER	NEEDLE NOSE PLIERS	REMOVABLE THREAD LOCKER	SMALL FILE

PLEASE READ THROUGH AND UNDERSTAND THESE INSTRUCTIONS BEFORE BEGINNING. **USE REMOVABLE THREAD LOCK ON ALL BOLTS AND SCREWS ESTIMATED INSTALLATION TIME: 120 TO 180 MIN. (USING "ALTERNATIVE CONSOLE ACCESS" TIME: 60 TO 90 MIN.)**

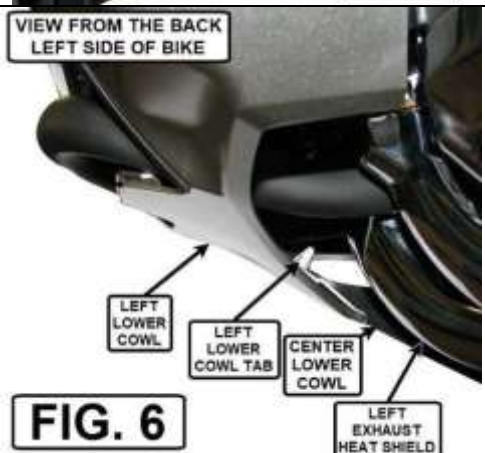
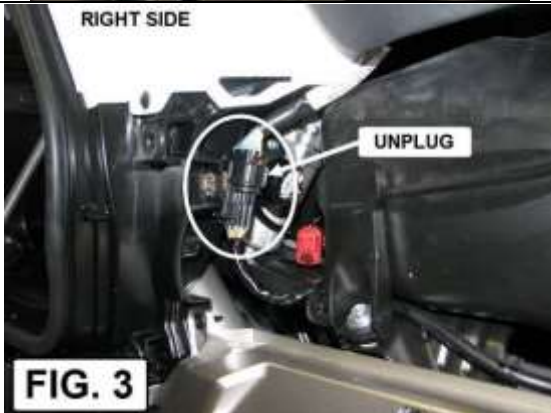
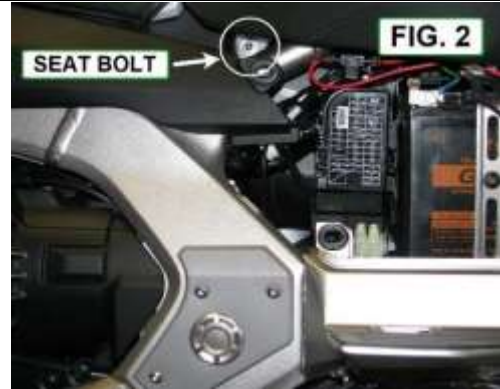
INSTALLATION:

1. OPEN BOTH SADDLEBAG LIDS AND REMOVE BOTH SIDE COVERS. SEE FIG. 1.
2. USING A 6MM ALLEN WRENCH REMOVE THE TWO SEAT BOLTS AND WASHERS. SEE FIG. 2.
3. ON THE RIGHT SIDE DISCONNECT THE CONNECTOR FOR THE SEAT HARNESS. SEE FIG. 3.
4. STARTING ON THE FRONT LEFT FOG LIGHT COWL USE A 5MM ALLEN WRENCH AND REMOVE THE TWO SCREWS SHOWN IN FIG. 4. PULL COWL FORWARD AND REMOVE IT.
5. REMOVE THE LEFT LOWER COWL SHOWN IN FIG. 5 BY FIRST REMOVING THE TWO ALLEN SCREW SHOWN. PULL ON THE BACK OF THE LOWER COWL TO START REMOVING IT.
6. ON THE FRONT UNDER SIDE OF THE LOWER COWL RELEASE THE LEFT LOWER COWL TAB SHOWN IN FIG. 6.
7. PULL THE LOWER COWL OUT AND FORWARD TO RELEASE IT. THERE IS A RUBBER GROMMET IN THE MIDDLE OF THE PANEL. SEE FIG. 7.
8. REPEAT STEPS 4 THROUGH 7 AND REMOVE THE RIGHT FOG LIGHT COWL AND THE RIGHT LOWER COWL FROM THE BIKE.
9. REMOVE THE CENTER LOWER COWL BY FIRST REMOVING THE TWO ALLEN SCREWS NEAR THE TOP OF THE COWL SHOWN IN FIG. 8.
10. USING AN 8MM SOCKET REMOVE THE TWO BOLTS SHOWN IN FIG. 8. PULL THE CENTER LOWER COWL FORWARD AND REMOVE IT.
11. ON THE FRONT RIGHT SIDE OF THE MOTOR FIND AND REMOVE THE CONNECTOR COVER SHOWN IN FIG. 9. SQUEEZE THE END OF THE CAP AND PULL TO REMOVE IT.
12. TAKE THE WIRING "Y" HARNESS SUPPLIED WITH THE KIT AND PLUG THE FEMALE CONNECTOR INTO THE CONNECTOR ON THE BIKE (FIG. 9). RUN THE LONG END OF THE HARNESS ACROSS THE FRONT OF THE MOTOR.
13. IN THE LIGHT KIT FIND THE LEFT STAY SHOWN IN FIG. 10. INSTALL TWO OF THE RUBBER GROMMETS IN THE HOLES AS SHOWN.
14. INSTALL TWO OF THE LARGE COLLARS AND TWO OF THE SMALL COLLARS AS SHOWN IN FIG. 10.
15. INSTALL ONE OF THE LED FOG LIGHTS IN THE LEFT STAY AS SHOWN IN FIG. 11. TIGHTEN ALL THE SCREWS.
16. PLUG THE LED LIGHT HARNESS INTO THE "Y" HARNESS AND ATTACH THE LEFT STAY TO THE BIKE AS SHOWN IN FIG. 12. DO NOT REINSTALL COWLS.
17. REPEAT STEPS 13 THROUGH 16 FOR THE RIGHT LED FOG LIGHT. TIGHTEN ALL SCREWS ON BOTH LIGHTS.
18. FOR HONDA'S ADVISED BUTTON INSTALLATION GO TO STEP 19. FOR A QUICKER INSTALLATION METHOD GOTO "ALTERNATE CONSOLE ACCESS" BELOW.
19. STARTING ON THE RIGHT SIDE OF THE BIKE USE A 5MM ALLEN WRENCH AND REMOVE THE SCREW SHOWN IN FIG. 13. PULL THE TRIM DOWN TO REMOVE IT. REPEAT THIS ON THE LEFT SIDE.
20. USING AN 8MM SOCKET WRENCH REMOVE THE TWO BOLTS HOLDING THE MIRROR TO THE BIKE SHOWN IN FIG. 14. PULL THE MIRROR OUT AND UNPLUG THE CONNECTOR. REPEAT THIS ON LEFT SIDE.
21. USING A 5MM ALLEN WRENCH REMOVE THE TWO SCREWS (ONE ON EACH SIDE) NEAR THE MIRRORS SHOWN IN FIG. 15.
22. ON THE RIGHT SIDE REMOVE THE TWO SCREWS SHOWN IN FIG. 16. PULL THE PANEL OUT AND REMOVE IT. REPEAT THIS ON THE LEFT SIDE.
23. USING THE POINT ON A PHILLIPS SCREW DRIVER PUSH IN THE CENTER OF THE PLASTIC RIVET SHOWN IN FIG. 17. REMOVE THE RIVET. REPEAT THIS ON THE LEFT SIDE. **NOTE: AFTER REMOVING ALL PLASTIC RIVETS PUSH THE CENTER OF THE RIVET BACK TO RESET THE RIVET FOR INSTALLATION.**
24. GO TO THE INNER RIGHT COWL ON THE FRONT OF THE BIKE AND REMOVE THE TWO SCREWS AND THREE PLASTIC RIVETS SHOWN IN FIG. 18. PULL THE PANEL LOOSE BUT DO NOT REMOVE IT. REPEAT THIS ON THE LEFT INNER COWL.
25. BEHIND THE PANELS YOU JUST LOOSENED REMOVE ONE PLASTIC RIVET ON EACH SIDE. THE RIGHT SIDE RIVET IS SHOWN IN FIG. 19.
26. STARTING ON THE RIGHT SIDE PANEL PULL THE PANEL OUTWARD TO REMOVE IT. SEE FIG. 20. REPEAT THIS FOR THE LEFT SIDE PANEL.
27. ON THE RIGHT SIDE ONLY DISCONNECT THE TWO CONNECTORS SHOWN IN FIG. 21. ALSO PUSH THE WIRE STAY IN TO RELEASE IT FROM THE PANEL.
28. ON BOTH THE RIGHT AND THE LEFT SIDES REMOVE THE TWO SCREWS MARKED "4" AND "8" IN FIG. 22. SCREW NUMBER "8" ON BOTH SIDES HAS A METAL COLLAR THAT ALSO NEEDS TO BE REMOVED.
29. ON THE RIGHT SIDE ONLY REMOVE THE ONE PLASTIC RIVET AT THE FRONT OF THE RIGHT AIR GUIDE. SEE FIG. 22. REMOVE THE REST OF THE SCREWS SHOWN IN FIG. 22 AND PULL THE AIR GUIDE OUT AND REMOVE IT.
30. ON THE RIGHT SIDE DISCONNECT THE FUEL DOOR CABLE. SEE FIG. 23.
31. TO REMOVE THE SHELTER FIRST REMOVE THE THREE PLASTIC RIVETS SHOWN IN FIG. 24. THE PLASTIC RIVET THAT IS ON THE LEFT REAR OF THE SHELTER IS ON THE INSIDE BRACKET POINTING OUT.
32. USING A 5MM ALLEN WRENCH REMOVE THE TWO SILVER SCREWS SHOWN IN FIG. 24.
33. STARTING AT THE REAR OF THE SHELTER CAREFULLY PULL UP AND LIFT THE SHELTER TO REMOVE IT. NOTE: THE FUEL DOOR IS PART OF THE SHELTER. THE GLOVE BOX OR AIR BAG IS NOT PART OF THE SHELTER.
34. REMOVE THE CONTROL PANEL BY FIRST REMOVING THE TWO PLASTIC RIVETS SHOWN IN FIG. 25. THESE RIVETS ARE DIFFERENT FROM THE OTHERS. YOU PULL THE CENTER OF THESE RIVETS UP TO RELEASE THEM FROM THE BIKE.
35. USING A 5MM ALLEN WRENCH REMOVE THE TWO SCREWS SHOWN IN FIG. 25. PULL UP ON THE FRONT OF THE CONTROL PANEL TO RELEASE IT. NOTE: YOU DO NOT NEED TO DISCONNECT THE WIRING ON THE CONTROL PANEL.

36. USING A PHILLIPS SCREWDRIVER REMOVE THE FOUR SCREWS SHOWN ON **FIG. 26**. NOTE: THE TWO FRONT SCREWS ARE LONGER THAN THE OTHER TWO SCREWS.
37. CAREFULLY REMOVE THE LEFT AND RIGHT CONSOLE SIDE PANELS BY PULLING THEM STRAIGHT OUT.
38. ON THE TOP SIDE OF THE CONTROL PANEL REMOVE THE TWO PHILLIPS SCREWS SHOWN IN **FIG. 27**. LIFT THE CONSOLE BEZEL UP FROM THE REAR AND PUSH IT FORWARD AND REMOVE IT.
39. REMOVE THE CENTER PHILLIPS SCREW SHOWN IN **FIG. 28**. LIFT STRAIGHT UP ON THE CENTER SWITCH COVER AND REMOVE IT. SCREW AND COVER WILL NOT BE REUSED.
40. INSTALL THE SUPPLIED SWITCH BUTTON INTO THE PANEL BY SIMPLY LINING UP THE SLIDES AND PUSHING THE SWITCH INTO PLACE.
41. REASSEMBLE THE BIKE IN REVERSE ORDER EXCEPT FOR THE FOG LIGHT COWLS.
42. WITH THE BIKE ON ITS CENTER STAND OR HAVING SOMEONE HOLDING IT LEVEL SET THE AIM OF BOTH FOG LIGHTS TO YOUR DESIRED POSITION. LOOSEN THE ADJUSTMENT BOLT (**FIG. 12**) TO MOVE THEM AS NEEDED AND THEN RETIGHTEN.
43. REMOVE THE AREA SHOWN IN **FIG. 29** ON BOTH THE RIGHT AND LEFT FOG LIGHT COWLS. USE A HACKSAW BLADE TO CUT EACH TAB. THEN USE A SMALL FILE TO CLEAN UP THE EDGES.
44. REINSTALL BOTH FOG LIGHT COWLS.

ALTERNATE CONSOLE ACCESS:

1. PLACE A PIECE OF MASKING TAPE ON EACH SIDE OF THE CONSOLE AS SHOWN IN **FIG. 13A**. SLIDE THE TAPE UNDER THE EDGES OF THE SHELTER AS SHOWN IN **FIG 13A**.
2. CAREFULLY LIFT THE FRONT EDGE OF THE SHELTER AS SHOWN IN **FIG. 14A**. THERE IS A TAB THAT WILL RELEASE FROM BELOW. REPEAT ON LEFT SIDE OF CONSOLE.
3. USING A "L" STYLE 5MM ALLEN WRENCH REMOVE THE TWO SCREWS UNDER THE SHELTER. SEE **FIG. 14A** AND **FIG. 15A**.
4. USING A NEEDLE NOSE PLIERS REMOVE THE PLASTIC RIVET SHOWN IN **FIG. 16A**. REPEAT ON THE LEFT SIDE RIVET.
5. SLIDE THE CONSOLE FORWARD AND LIFT THE FRONT. FLIP IT UP AS SHOWN IN **FIG. 17A**. FROM HERE GO TO **STEP 36** TO COMPLETE INSTALLATION.



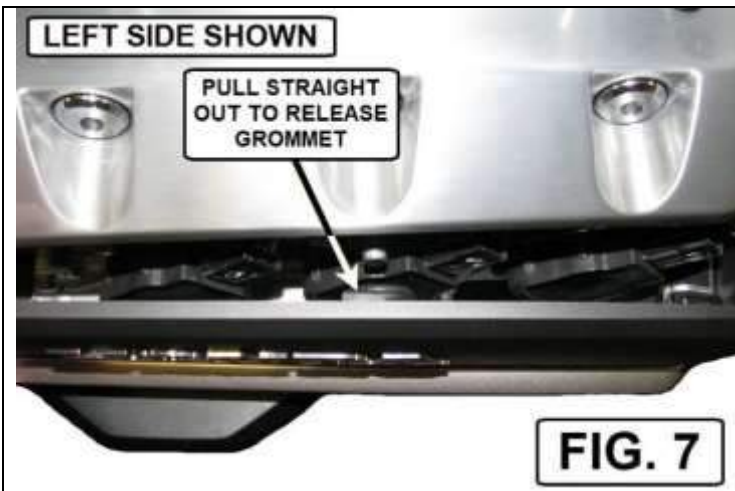


FIG. 7

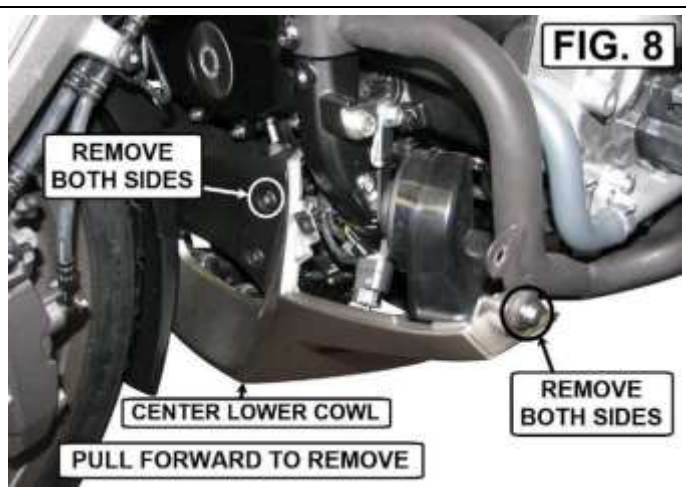


FIG. 8



FIG. 9

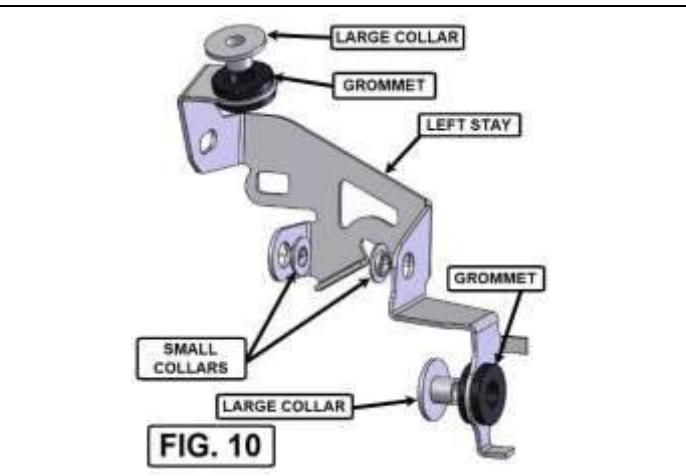


FIG. 10

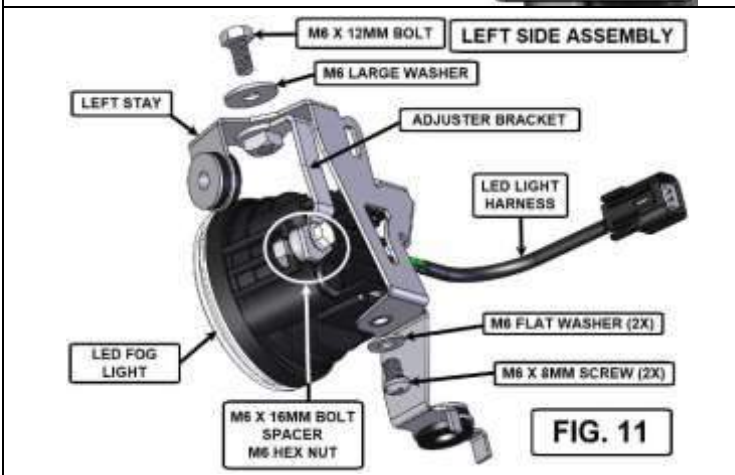


FIG. 11



FIG. 12

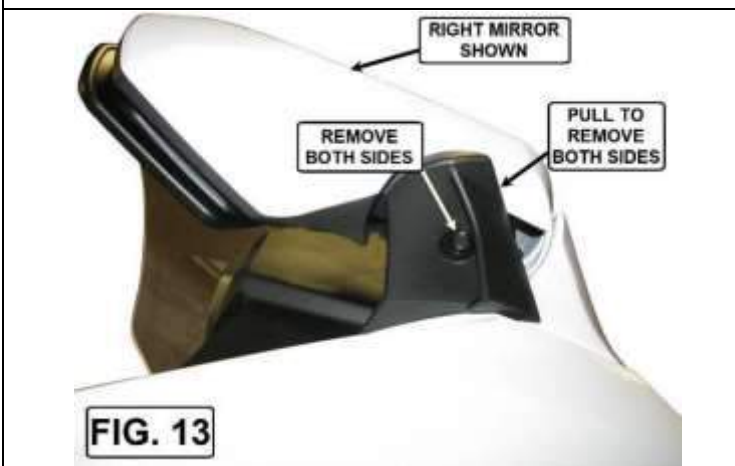


FIG. 13

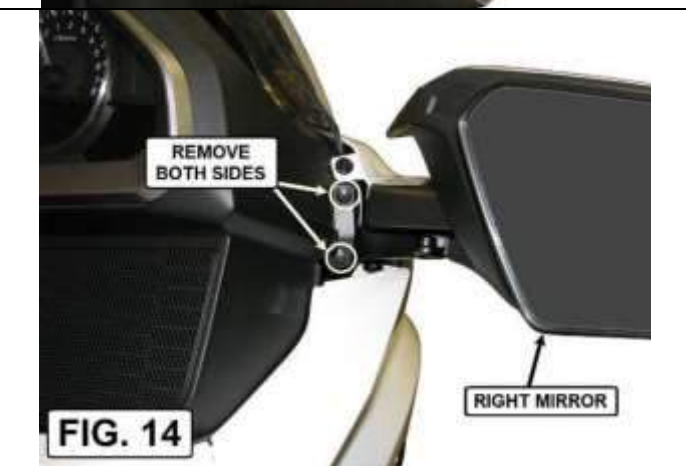
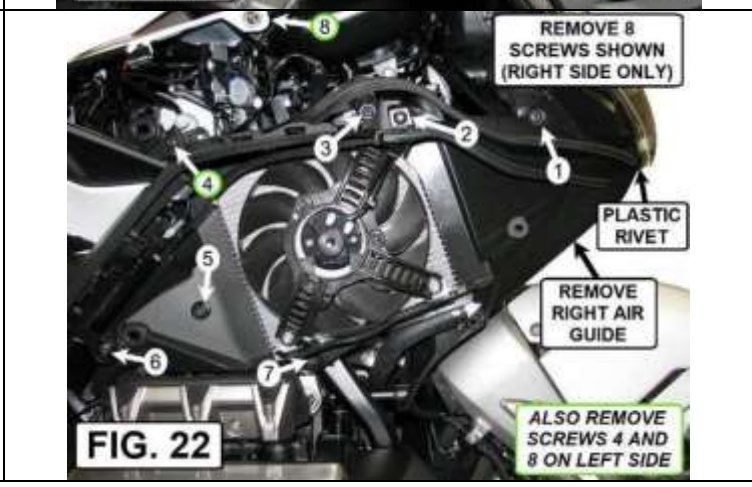
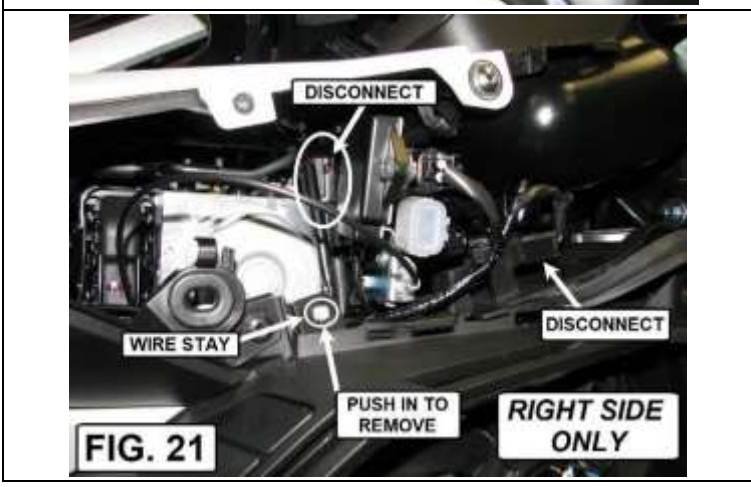
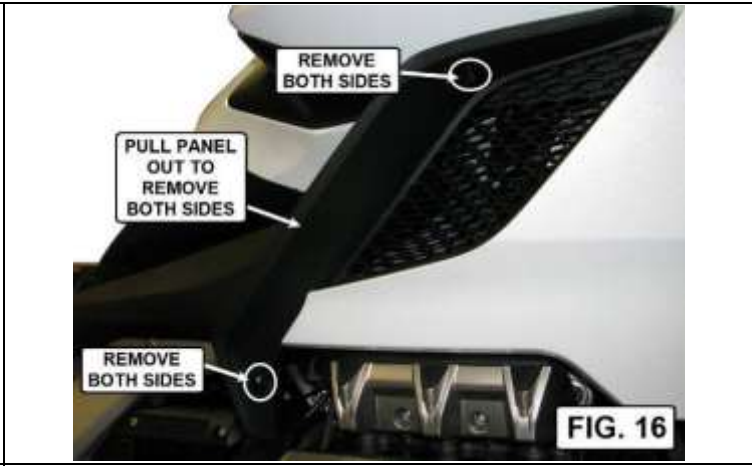
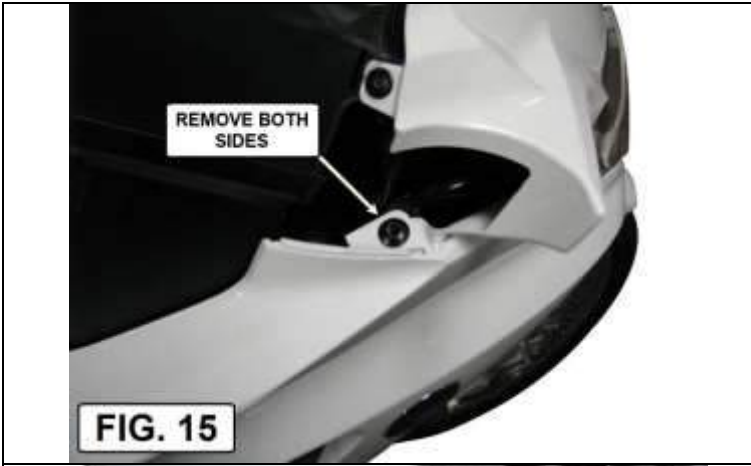
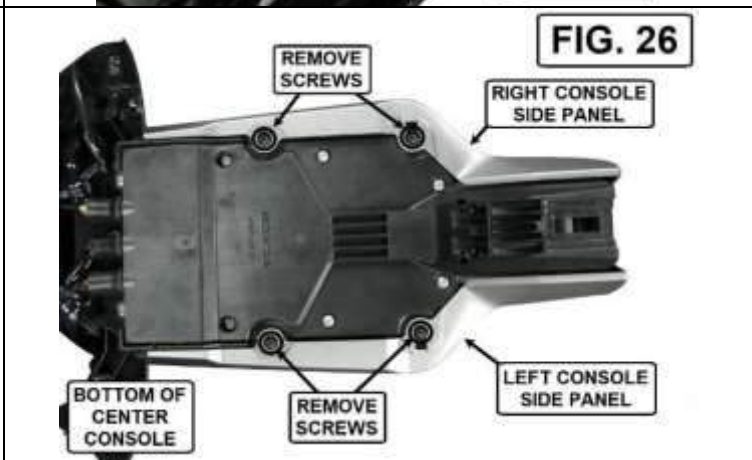
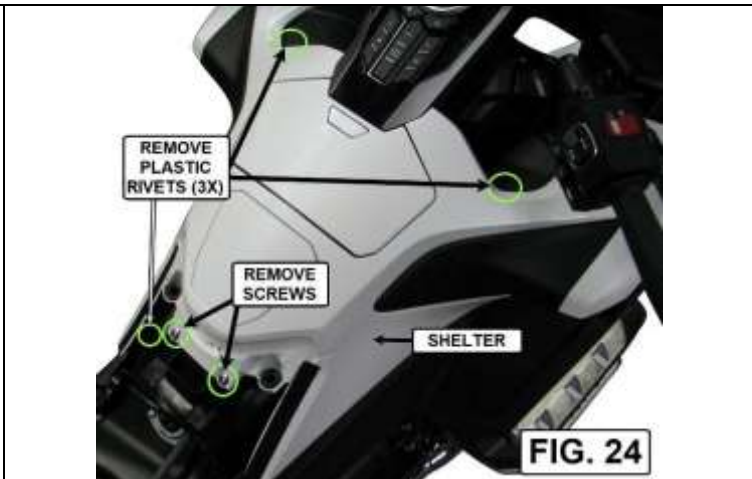
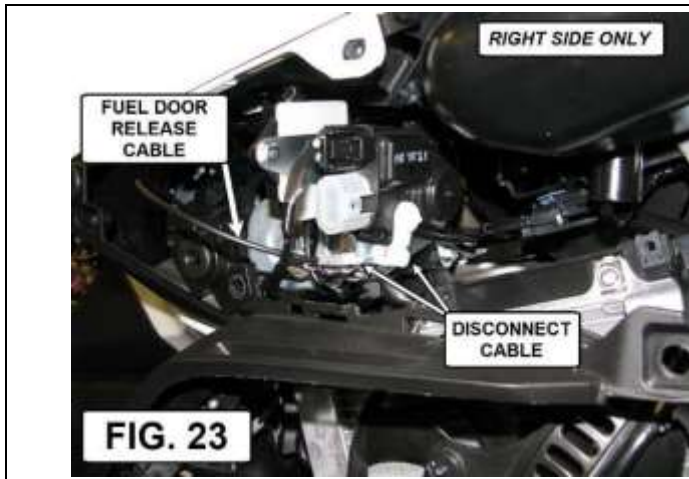


FIG. 14





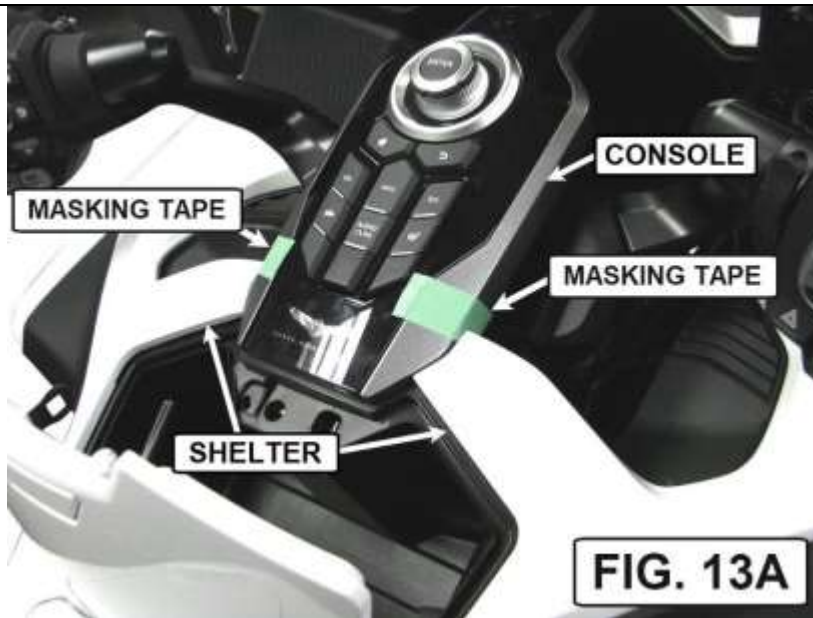


FIG. 13A

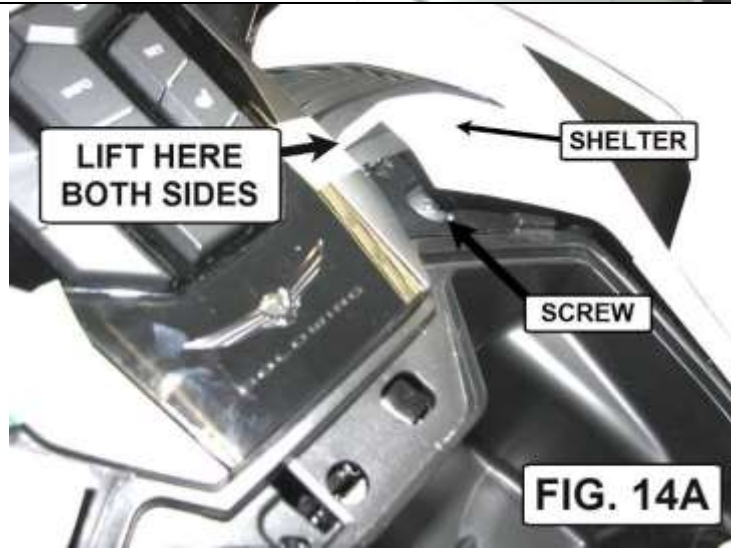


FIG. 14A

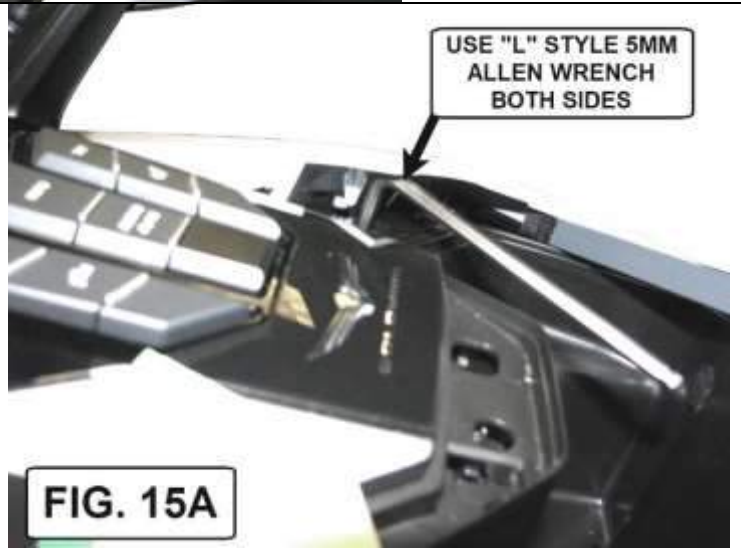


FIG. 15A

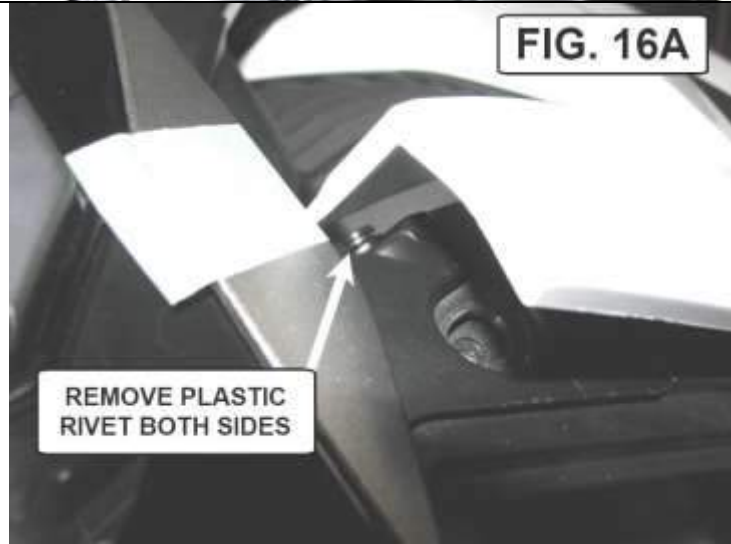


FIG. 16A



FIG. 17A