

## INSTALLATION INSTRUCTIONS

### LUGGAGE RACK FOR GL1800

**6766 CHROME OR 6769 GLOSS BLACK**

**THANK YOU FOR CHOOSING KURYAKYN!**

Protect yourself and others from possible injury and property damage or loss. Pay close attention to all instructions, warnings, cautions, and notices regarding the installation, use, and care of this product.

**⚠ WARNING** THIS INDICATION ALERTS YOU TO THE FACT THAT IGNORING THE CONTENTS DESCRIBED HEREIN CAN RESULT IN POTENTIAL DEATH OR SERIOUS INJURY.

**⚠ CAUTION** THIS INDICATION ALERTS YOU TO THE FACT THAT IGNORING THE CONTENTS DESCRIBED HEREIN CAN RESULT IN MINOR OR MODERATE POTENTIAL INJURY.

**NOTICE**

THIS INDICATION ALERTS YOU TO THE FACT THAT IGNORING THE CONTENTS DESCRIBED HEREIN MAY NEGATIVELY AFFECT PRODUCT PERFORMANCE AND FUNCTIONALITY OR DAMAGE THE PRODUCT ITSELF OR THE PRODUCT TO WHICH IT IS BEING ATTACHED.

### ENSURE THAT THE FOLLOWING PARTS HAVE BEEN INCLUDED IN THE KIT:

- 1 Luggage Rack
- 4 M6 X 1.0 X 20MM Button Head Cap Screws
- 4 M6 Flat Washers

### YOU WILL ALSO NEED:

Metric hex wrench set, Phillips screw driver, electric drill, 1/4" and 1/2" drill bit, masking tape, blue loctite

**NOTICE**

THESE INSTALLATION INSTRUCTIONS CONTAIN IMPORTANT INFORMATION. ENSURE THE END USER RECEIVES THIS COPY AND IS AWARE OF ITS IMPORTANCE FOR FUTURE USE.

**NOTICE**

THIS PART WILL REQUIRE DRILLING INTO OEM PARTS. BE SURE TO MEASURE TWICE, DRILL ONCE, AND ALWAYS DOUBLE CHECK THE REFERENCE MARKS MADE BEFORE DRILLING.

**⚠ WARNING** A FACTORY SERVICE MANUAL WILL BE HELPFUL IN PERFORMING THIS INSTALLATION. DO NOT ATTEMPT TO PERFORM THIS INSTALLATION IF YOU ARE NOT CONFIDENT IN YOUR ABILITY TO COMPLETE ALL OF THE STEPS IN THE PROCEDURE; CONSULT A TRAINED TECHNICIAN. IMPROPER INSTALLATION COULD RESULT IN SERIOUS INJURY OR DEATH.

**STEP 1** Read and understand all steps in the instructions before starting the installation. Park the motorcycle on a hard, level surface and turn off the ignition. Let motorcycle cool.

**STEP 2** IF HONDA TRUNK RACK IS ALREADY INSTALLED, remove existing mounting hardware and rack. Continue to Step 14.

IF NO RACK EXISTS, continue to Step 3.

**STEP 3** Refer to PIC 2. On the inside of the trunk, unfasten the passenger backrest from the trunk. Disconnect the wiring harness from the backrest and remove the backrest from the trunk. Apply a small amount of blue loctite to the hardware that was removed. Set hardware and backrest aside, they will be reused.

**STEP 4** Refer to PIC 3. Disconnect the wiring harness from the rear trunk lid. Be careful not to break the tabs holding the wiring.



**PIC 1**

M6 X 1.0 X 20MM BHCS  
FLAT WASHERS



**PIC 2**



**PIC 3**

BE CAREFUL OF TABS

## INSTALLATION INSTRUCTIONS

### LUGGAGE RACK FOR GL1800

-CONTINUED-

- STEP 5** Refer to PIC 4. Remove hardware fastening the trunk lid to the trunk assembly. Remove the trunk lid and set it on a flat clean surface, in a well lit area, where you can easily work on it. Apply a small amount of loctite to hardware. Set hardware aside, it will be reused.

**PIC 4**

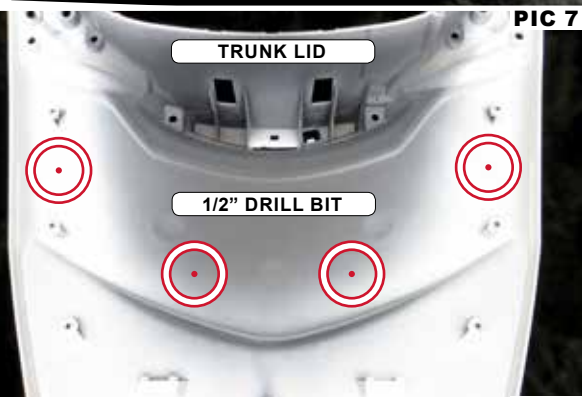
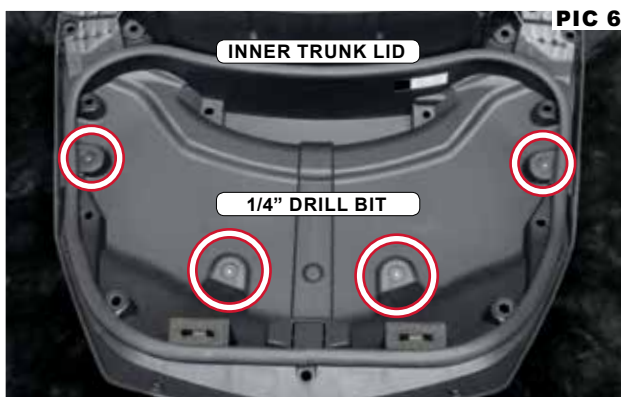
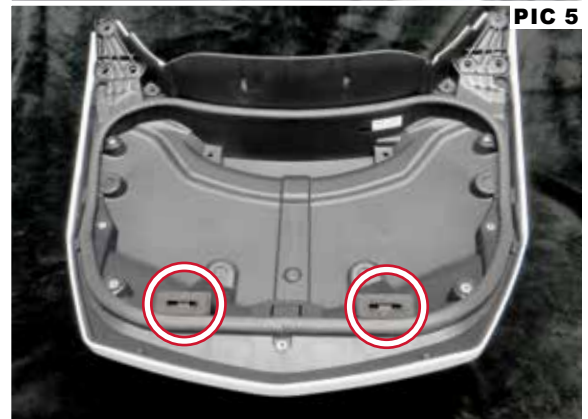
*Note: Pay attention to the hardware removed and from where it was removed from.*

- STEP 6** Refer to PIC 5. Pay attention to the direction of the striker rods before removing. Unfasten and remove striker rods from the rear trunk lid. Apply a small amount of blue loctite to hardware. Set hardware and striker rods aside, they will be reused.

- STEP 7** Remove the inner trunk lid from the trunk lid. Apply a small amount of loctite to hardware. Set hardware aside, it will be reused.

**NOTICE** MEASURE TWICE – DRILL ONCE. DOUBLE CHECK ALL REFERENCE MARKS MADE ON THE TRUNK LID BEFORE DRILLING. KURYAKYN WILL NOT PROVIDE WARRANTY COVERAGE ON PRODUCTS OR COMPONENTS DAMAGED AS A RESULT OF THIS INSTALLATION.

- STEP 8** Refer to PIC 6 and 7. Mark four (4) drill hole points on the inner trunk lid in the center points of the embossed circles in the lid. Mark four (4) drill hole points on the inside of the trunk lid, in the circles with arrows next to them. Check that the holes marked on the inner lid and trunk lid perfectly align and match each other **BEFORE DRILLING**.



- STEP 9** Refer to PIC 8. Apply masking tape to the outside of the trunk lid to the areas where it will be drilled through, to prevent the paint from chipping or flaking away. Be sure to cover whole area, not just the drill point.

- STEP 10** Drill a 1/4 inch hole all the way through the inner trunk lid at the four (4) marked points.

- STEP 11** Drill a 1/2 inch hole all the way through the trunk lid at the four (4) marked points.



## INSTALLATION INSTRUCTIONS

### LUGGAGE RACK FOR GL1800

-CONTINUED-

- STEP 12** Align the two lids and check that the holes are properly aligned. Locate luggage rack and test fit it on the outside of the trunk lid. If luggage rack posts do not fit into the trunk lid's drilled holes, remove the rack and make small adjustments to the holes. Test again. Repeat process until the luggage rack fits into the drilled holes. **DO NOT OVER DRILL AND MAKE HOLES TOO LARGE!**

*Note: The inner trunk lid holes are meant to be smaller than the trunk lid's. The holes should be just big enough for the provided screws to fit through them to fasten to the luggage rack posts.*

- STEP 13** Remove tape from outside of trunk lid.

- STEP 14** Locate provided trunk rack, four (4) screws and four (4) washers. Place a washer on to each of the screws.

- STEP 15** Refer to PIC 10. With the two lids aligned with each other, align and place the luggage rack on the outside of the trunk lid. On the inside of the trunk lid assembly, fasten the rack in place using the provided washer and screw assembly. Fully tighten hardware.

- STEP 16** Refer to PIC 10. Locate the seven (7) inner trunk lid mounting screws removed in Step 9, and reinstall the inner trunk to the trunk lid.

- STEP 17** Refer to PIC 10. Locate striker rods and hardware that were removed in Step 6. Reinstall striker rods to the trunk lid. Be sure striker rods are pointing in the correct direction. If not it can cause damage to the trunk when closed.

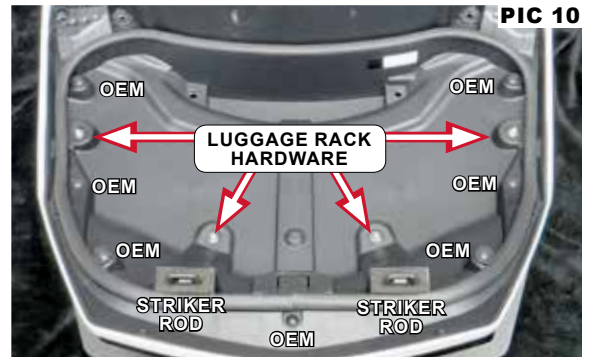
- STEP 18** Refer to PIC 11. Reinstall all the trunk lid in the reverse order of which it was removed, using the hardware that was removed in Step 5.

- STEP 19** Fasten the wiring harness to the trunk lid. Be very careful not to break the tabs holding the wire at the top of the trunk lid.

- STEP 20** Refer to PIC 12. Reconnect the passenger backrest to the wiring harness and reinstall it to the trunk.

#### NOTICE

IT IS THE INSTALLER'S RESPONSIBILITY TO ENSURE THAT ALL OF THE FASTENERS (INCLUDING PRE-ASSEMBLED) ARE TIGHTENED BEFORE OPERATION OF THE MOTORCYCLE. KURYAKYN WILL NOT PROVIDE WARRANTY COVERAGE ON PRODUCTS OR COMPONENTS LOST DUE TO IMPROPER INSTALLATION OR LACK OF MAINTENANCE. PERIODIC INSPECTION AND MAINTENANCE ARE REQUIRED ON ALL FASTENERS.





## INSTALLATION INSTRUCTIONS

### LUGGAGE RACK FOR GL1800

-CONTINUED-

#### LIMITED WARRANTY

Kuryakyn warrants that any Kuryakyn products sold hereunder, shall be free of defects in materials & workmanship for a period of one (1) year from the date of purchase by the consumer excepting the following provisions:

1. Kuryakyn shall have no obligation in the event the customer is unable to provide a receipt showing the date the customer purchased the product(s).
2. The product must be properly installed, maintained & operated under normal conditions.
3. Kuryakyn shall not be liable for any consequential & incidental damages, including labor & paint, resulting from failure of a Kuryakyn product, failure to deliver, delay in delivery, delivery in nonconforming condition, or for any breach of contract or duty between Kuryakyn & a customer.
4. Kuryakyn products are often intended for use in specific applications. Kuryakyn makes no warranty if a Kuryakyn product is used in applications other than intended.
5. Kuryakyn electrical products are warranted for one (1) year from the date of purchase by the consumer. L.E.D.'s contained in components of Kuryakyn products will be warranted for defects in materials & workmanship for 3 years from the date of purchase whereas all other components shall be warranted for one (1) year.
6. All warranty claims must be directed to the place of purchase. Merchandise sold through internet auction sites or any other unauthorized reseller shall not carry a Kuryakyn warranty. If unsure, please contact the place of purchase to verify they are an authorized Kuryakyn reseller.

#### RETURN POLICY

Merchandise determined to be defective may be returned up to one year from the date of purchase. Returns must be processed through original seller. Returned merchandise for any other reason other than warranty claims must be in like new condition & subject to a 20% restocking fee. All returns are subject to inspection for determination of full or partial credit. Any returned part that shows evidence of being used or installed contrary to manufacturer's instructions, &/or subjected to improper handling, packaging or return shipping by the customer, will not be eligible for exchange, refund or warranty consideration. All returned electrical items will be inspected & tested. If electrical item is deemed functional, no credit will be issued & item will be returned. All sales are final on discontinued or closeout merchandise.

©2015 KURYAKYN HOLDINGS, LLC ALL RIGHTS RESERVED

KURYAKYN, KURYAKYN K logo and the marks appearing on this instruction sheet are registered and common law trademarks of Kuryakyn Holdings except noted third-party trademarks. A full listing of trademarks and trademark registrations owned by Kuryakyn Holdings can be found at [www.kuryakyn.com/legal-notice](http://www.kuryakyn.com/legal-notice).

Emissions Notice: The California Air Resources Board (CARB) does not permit the use of aftermarket emission-related parts(s) that alter the performance of OEM emission-related devices unless CARB has issued an Executive Order, other than on racing vehicles on closed courses. Check your local laws and manufacturer's information.

Listed Manufacturers and product model names are for reference only. All product and company names are trademarks or registered trademarks of their respective holders. Use of them does not imply any affiliation with or endorsement by them. All specifications are subject to change without notice.

For additional information on third-party product and company names, please consult our Web page at [www.kuryakyn.com/legal-notice](http://www.kuryakyn.com/legal-notice)