

INSTALLATION INSTRUCTIONS

ENGINE GUARD FLOORBOARDS F/1984-96 GL MODELS WITH OEM ENGINE GUARDS P/N DS-720206, 720208

ATTENTION INSTALLER: (if other than owner): Please forward this instruction sheet to the purchaser of this product. These instructions also contain valuable information necessary to the end user.

INTRODUCTION: These instructions describe the procedure for properly installing Engine Guard Floorboards onto 1984-87 GL 1200 and 1988-96 GL1500 models equipped with OEM engine guards.

Review instructions carefully before beginning, as they contain important information. Please retain for future reference.

Particularly important information is distinguished in these instructions by the following notations:

NOTE: A NOTE provides key information to make procedures easier or clearer.

CAUTION: (shaded) A CAUTION indicates special procedures that must be followed to avoid damage to the motorcycle and/or accessories.

WARNING: (boxed and shaded) A WARNING indicates special procedures that must be followed to avoid injury to a motorcycle operator or person inspecting or repairing the motorcycle.



4. Install anti-swivel bracket (Item #3) and floorboard (Item #4) onto bar, using $\frac{5}{16}$ " bolt and star washer (Items # 9, 10). Install through one of three holes that provides desired ride height.

NOTE: Anti-swivel bracket (Item #3) has two positions: 30 and 35 degrees. The boards are in the 30-degree position when the bracket that is marked "30°" on the outside is on the left side. They are in the 35-degree position when this bracket is on the right.

5. For best appearance, mounting bar (Item #2) should be perpendicular with top and bottom engine guard tubes. The floorboards can be adjusted to any position. After desired position is attained, tighten all mounting hardware securely.

6. Repeat steps 2 through 5 for other side.

7. Reinstall Hondaline Air Intake Covers, if so equipped.

USE AND CARE:

Wash your accessories with the same care you use when washing your motorcycle. Use mild detergent and water. **DO NOT** use harsh chemicals, abrasive cleaners, or high-pressure spray washers.

TOOLS REQUIRED:

$\frac{1}{2}$ " combination wrench
5mm socket wrench
Flat blade screwdriver

PROCEDURE:

NOTE: Engine Guard Floorboards are designed to fit with or without Hondaline Air Intake Covers.

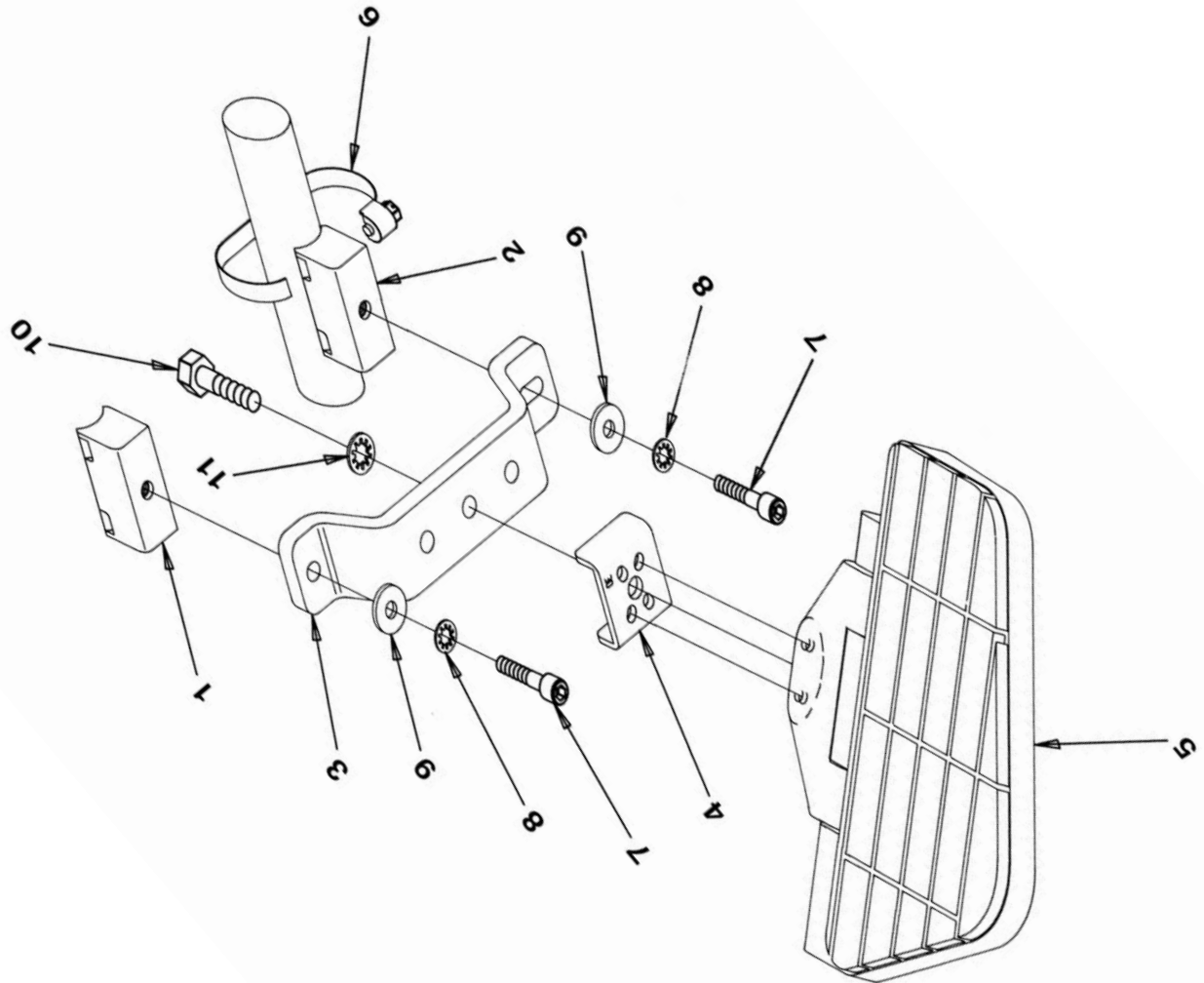
1. If motorcycle is a GL1500 and is equipped with Air Intake Covers, remove them.
2. Install one saddle weldment (Item #1) onto top bar of engine guard and one on bottom, using hose clamps (Item #5). Install them with open side down and in desired position. Snug, but do not tighten.
3. Install mounting bar (Item #2) onto the saddle weldments, using 6mm socket head screw, star washer and flat washer (Items # 6, 7, 8) Snug, but do not tighten.

DRAG SPECIALTIES

Box 9336, Minneapolis, MN 55440

EXPLODED INSTRUCTIONS

ENGINE GUARD FLOORBOARDS F/1984-96 GL MODELS WITH OEM ENGINE GUARDS P/N DS-720206, 720208



ENGINE GUARD FLOORBOARDS F/1984-96 GL MODELS W/ OEM ENGINE GUARDS

ITEM	PART #	DESCRIPTION	QTY.	ITEM	PART #	DESCRIPTION	QTY.
1	720228-2	Saddle weldment	4		720210-10	Spring clip	2
2	720228-1	Board mounting bar	2		720210-11	Pivot pin	2
3	720210A-13	Anti-swivel bracket, left	1		720210-12	E-clip	2
3	720210A-14	Anti-swivel bracket, right	1			5mm-.8 x 15mm hex bolt zinc	4
4	720210-1	Chrome board, left	1			5mm-.8 acorn nut chrome	4
4	720210-2	Chrome board, right	1			5mm-.8 x 10mm pan phil screw din 84 zinc	4
4	720210-1	Aluminum board, left	1			5mm lock washer zinc	8
4	720210-2	Aluminum board, right	1	5	720228-3	Hose clamps	8
	720228-4	Rubber insert, left, f/88	1	6		6mm-1.0 x 20mm socket head chrome	4
	720228-5	Rubber insert, right, f/88	1	7		6mm internal tooth washer zinc	4
	720210-8	Chrome trim plate, left	1	8		6mm SAE washer chrome	4
	720210-9	Chrome trim plate, right	1	9		5/16"-18 x 7/8" hex bolt zinc	2
	720210A-3	Pivot bracket w/ pins chrome	2	10		5/16" internal star washer	

DRAG SPECIALTIES

Box 9336, Minneapolis, MN 55440